



PATENT ABSTRACTS OF JAPAN

(11) Publication number: **10220654 A**(43) Date of publication of application: **21.08.98**

(51) Int. Cl.

**F16L 11/11
D06F 39/08**(21) Application number: **09026395**(22) Date of filing: **10.02.97**(71) Applicant: **MITSUGIRON:KK**(72) Inventor: **HIROOKA YOSHIHARU
NOZAKI TAKAHITO**(54) **WATER SUPPLY APPARATUS**

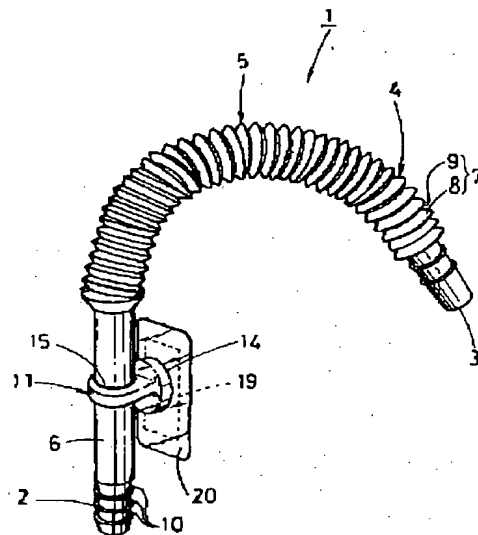
(57) Abstract:

PROBLEM TO BE SOLVED: To facilitate water feeding preparation in case of using bathtub water or the like so as to improve housework efficiency by providing a bellows part at least at a part of a water supply apparatus body with a feed water hose connecting part formed at one end and a discharge port formed at the other end in the water supply apparatus ideal for feeding water to a washing tub of a washing machine.

SOLUTION: A water supply apparatus 1 is formed of a water supply apparatus body 4 with a hose connecting part 2 formed at one end and with a discharge port 3 formed at the other end, and a bellows part 5 is formed at the discharge port 3 side half part of the water supply apparatus body 4, while a supporting means mounting part 6 is formed at the hose connecting part 2 side half part. The bellows part 5 is so formed that a contracted and bent attitude is held at the relatively hard bellows part 5 since the short side 9 of annular angle shape 7 is folded into the long side 8 side. The supporting means mounting part 6 formed in nearly straight cylinder shape is supported to a washing machine body through a supporting means 11 provided with an adsorption fixed face 14 provided with a magnet

in a casing, and a fit-in hole 15 to be fitted to the supporting means mounting part 6.

COPYRIGHT: (C)1998,JPO



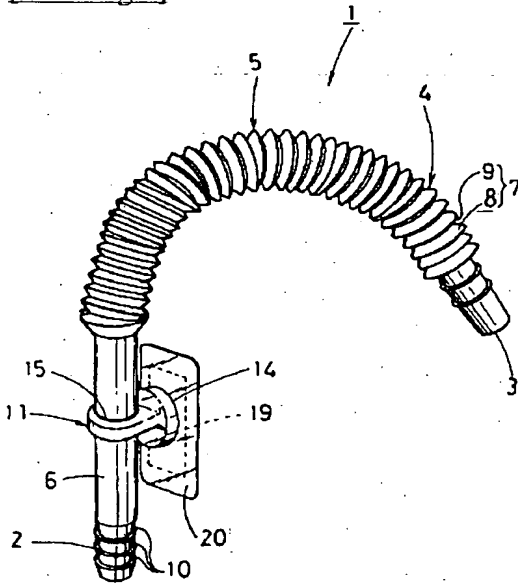
* NOTICES *

Japan Patent Office is not responsible for any damages caused by the use of this translation.

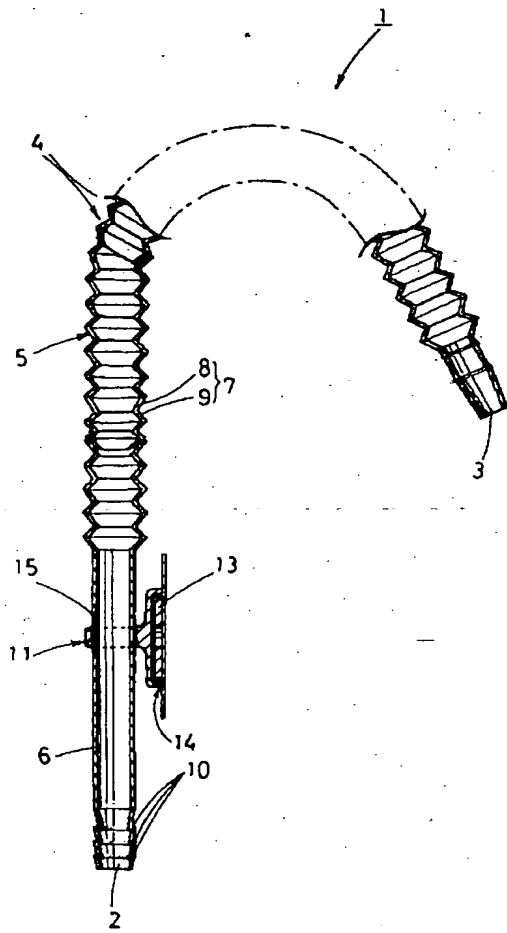
1. This document has been translated by computer. So the translation may not reflect the original precisely.
2. **** shows the word which can not be translated.
3. In the drawings, any words are not translated.

DRAWINGS

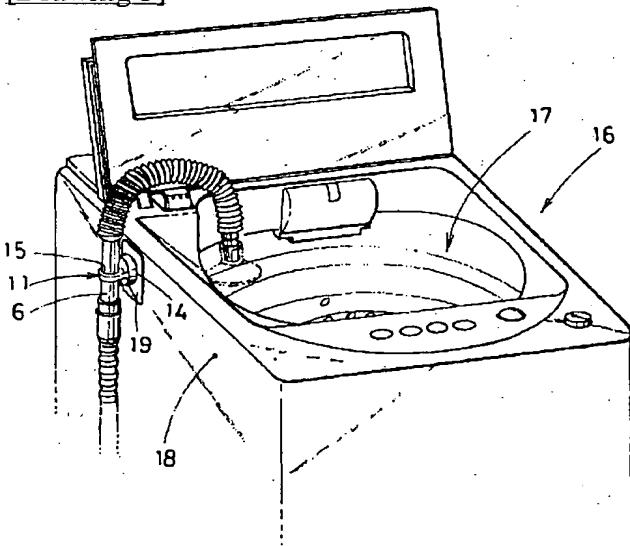
[Drawing 1]



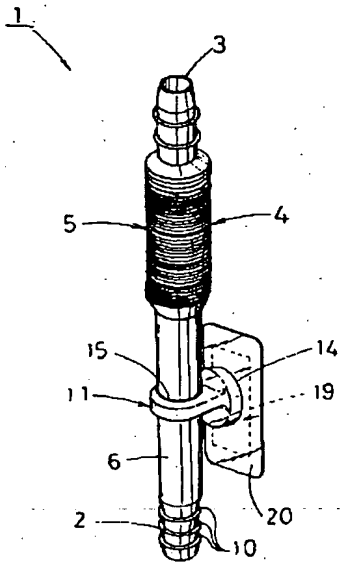
[Drawing 2]



[Drawing 3]



[Drawing 4]



[Translation done.]